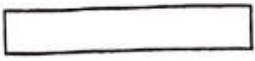




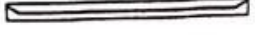


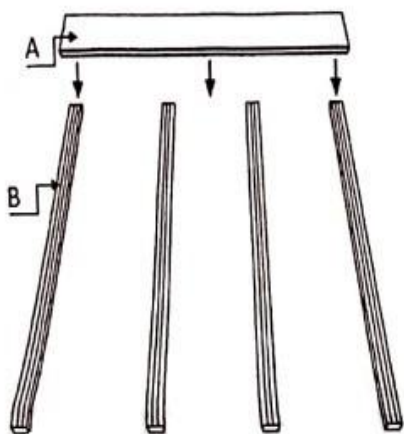
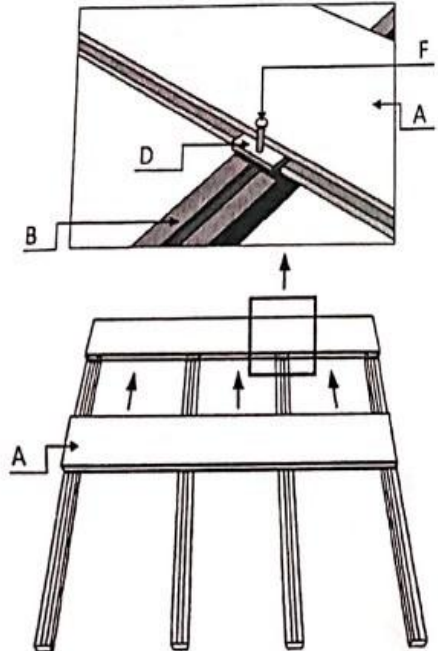


Ax4 	C1x2 	Dx12 	Fx40  M4x $\frac{25}{1.0}$
Bx4 	C2x2 	Ex8 	Gx8  M4x $\frac{20}{0.8}$

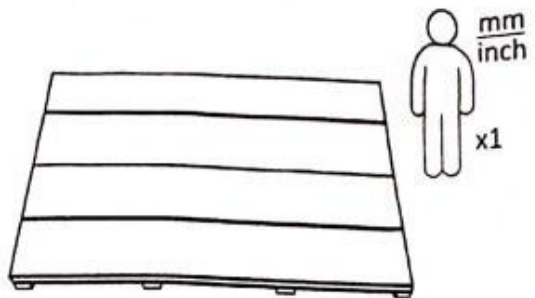
①



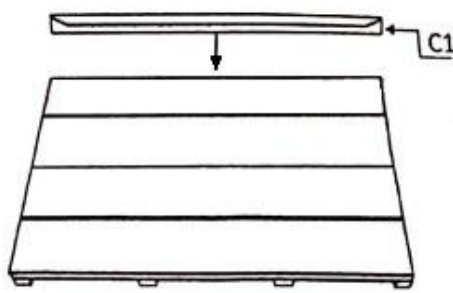
②



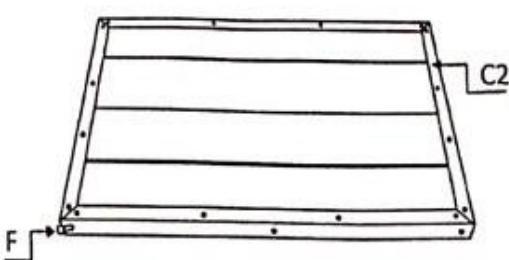
③



④



⑤



⑥

